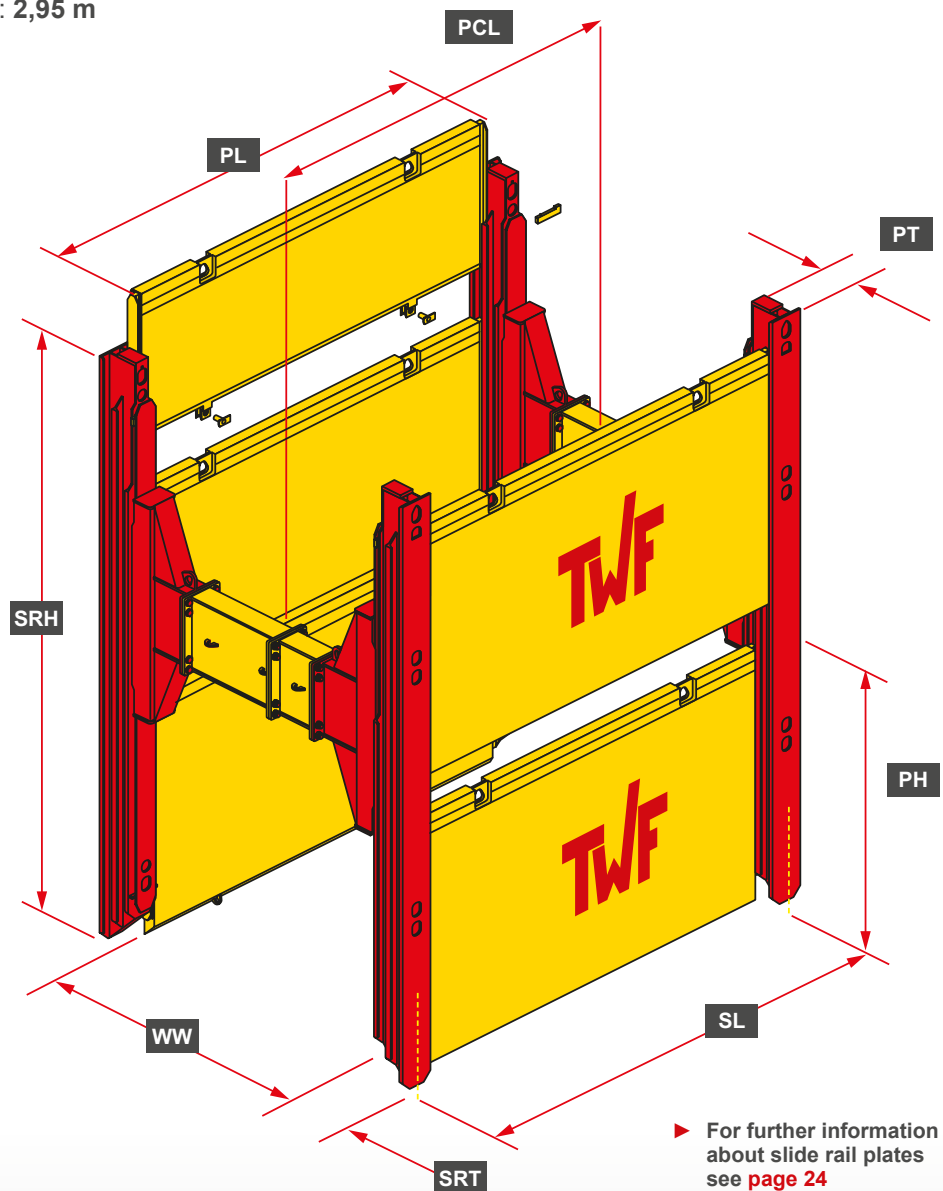


► Trench Shoring Systems

| Double Slide Rail Shoring **Standard** |

- Slide rail plates in **two guide rails** - for flexible use in several fields
- Installation by **lower and cut method** in unstable soils - **easy dismantling**
- Crawler excavator: **24 - 31 t**
- Maximum trench depth: **6,20 m**
- Trench width: **1,99 - 8,99 m**
- Pipe clearance height: **2,95 m**



PL	Plate length
SRH	Slide rail height
WW	Working width
SRT	Slide rail thickness
SL	System length
PH	Plate height
PT	Plate thickness
PCL	Pipe clearance length

► For further information about slide rail plates see [page 24](#)



► Double Slide Rail Shoring

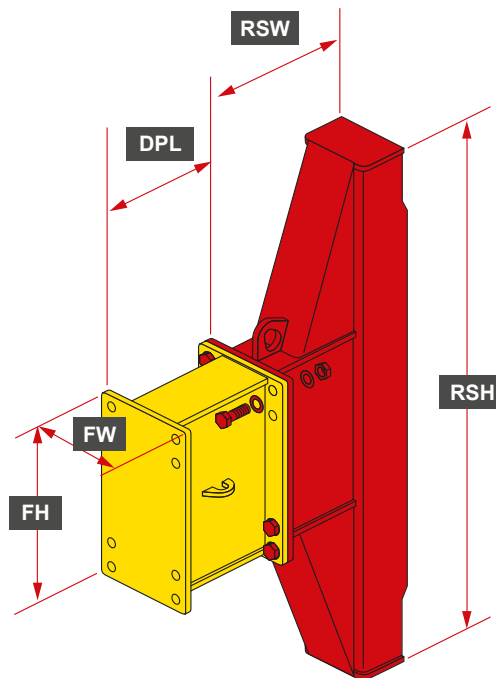
Element	Slide rail height SRH (m)	Weight (kg)	Slide rail thickness SRT (mm)	Char. System resistance
Slide rail	4,50	960	375	949,2 kNm
	5,50	1176		
	6,00	1266		
	6,50	1383		
Corner rail	4,50	810	430	130,9* kN/m
	5,50	957		

* Slide rail force each side



Rolling Strut Standard

RSH	Rolling Strut height
RSW	Rolling Strut width
DPL	Distance piece length
FH	Flange height
FW	Flange width



Rolling Strut - Standard	
Height RSH (m)	2,04
Width RSW (m)	0,50* 0,62
Flange width FW (mm)	405
Flange height FH (mm)	720
Weight / RS-pair (kg)	980
min. Working width WW (m)	1,24

*Special width on request

Distance piece - Standard						
Lenght DPL (m)	0,25	0,50	0,75	1,00	2,00	3,00
Weight (kg)	163	202	245	277	437	597

