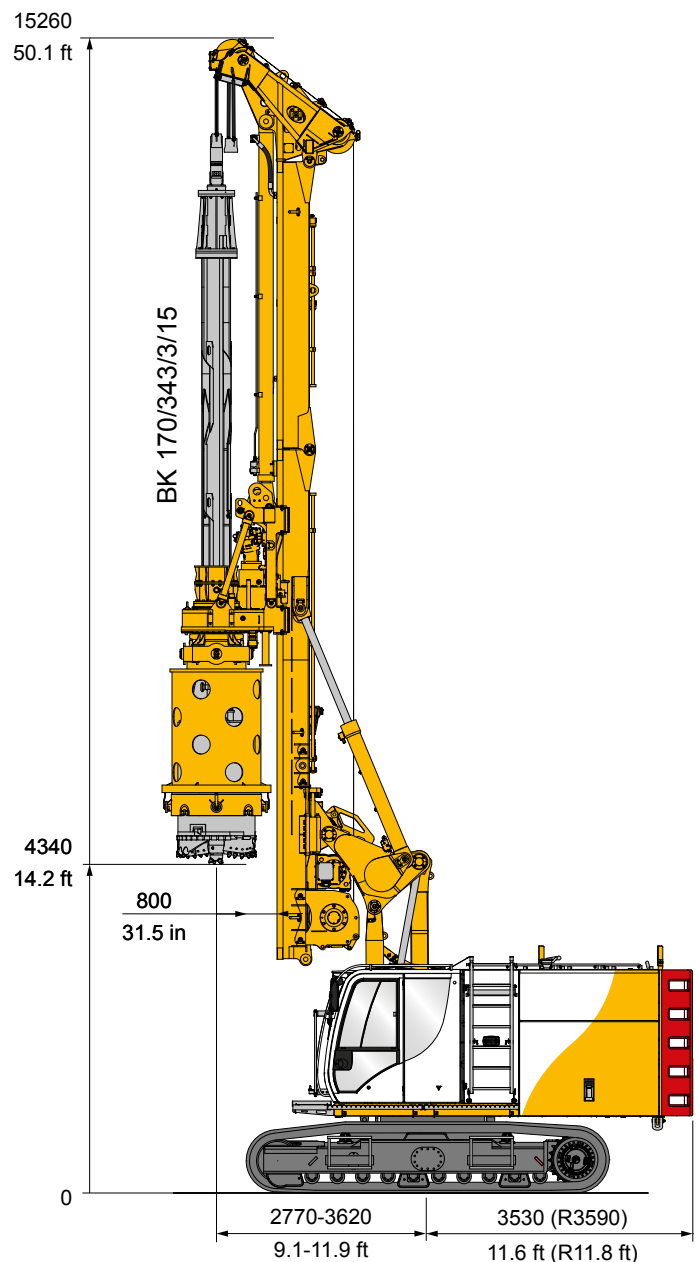


► BAUER Rotary drilling rigs

■ BG 15 H

Technical data	BG 15 H - BT 50
Overall height	17810 mm
Operating weight (approx.) (mit Kelly BK15/343/3/18)	51700 kg
Rotary drive	KDK 150 SL
Torque (nominal) at 300 bar	145 kNm
Speed of rotation (max.)	36 rpm
Crowd winch	
Crowd pressure / pull (effective)	200 / 200 kN
Speed (down/up)	10 / 6m/min
Fast speed (down/up)	35 / 30 m/min
Main winch	
Winch classification	M6 / L3 / T5
Single line pull (1st layer effective)	140 kN
Single line pull (1st layer nominal)	175 kN
Rope diameter / length	22 mm
Line speed max	80 m/min
Auxiliary winch	
Winch classification	M5 / L2 / T5
Single line pull (1st layer effective)	43 kN
Single line pull (1st layer nominal)	54 kN
Rope diameter / length	16 mm
Line speed (max.)	28 m / min
Mast inclination	
Backward / forward / lateral	15° / 5° / +3°

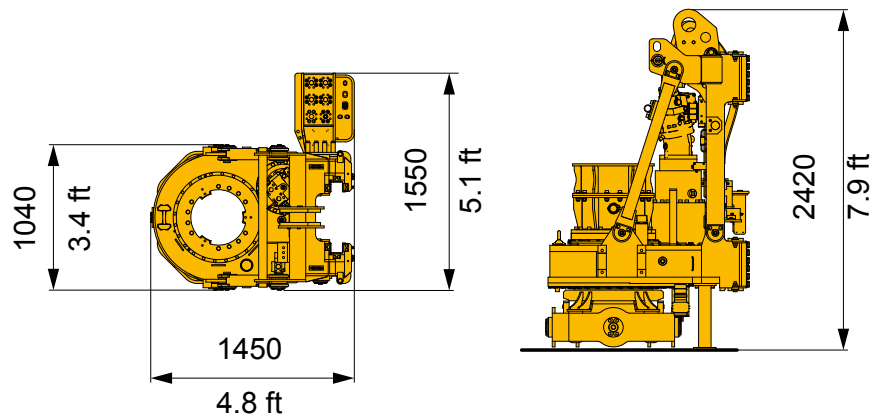


► BAUER Rotary drilling rigs

Rotary drive

KDK 150 KL

Weight c/w sledge 3,5 t



Base carrier BT 50

CAT C 7.1

Engine

Rated output ISO 3046-1	186 kW
Engine conforms to Exhaust Emission Standard	Stage V / Tier 4 final
Diesel tank / AdBlue	540 l / 32 l
Sound pressure level in cabin (EN 16228, Annex A)	LPA 80 dB (A)
Sound power level (2000/14/EG u. EN 16228, Annex A)	LPA 105 dB (A)
Hydraulic pressure	350 bar

Undercarriage (Retractable crawler frames)

UW 45

Crawler type	B60
Traction force effective / nominal	340 / 400 kN

