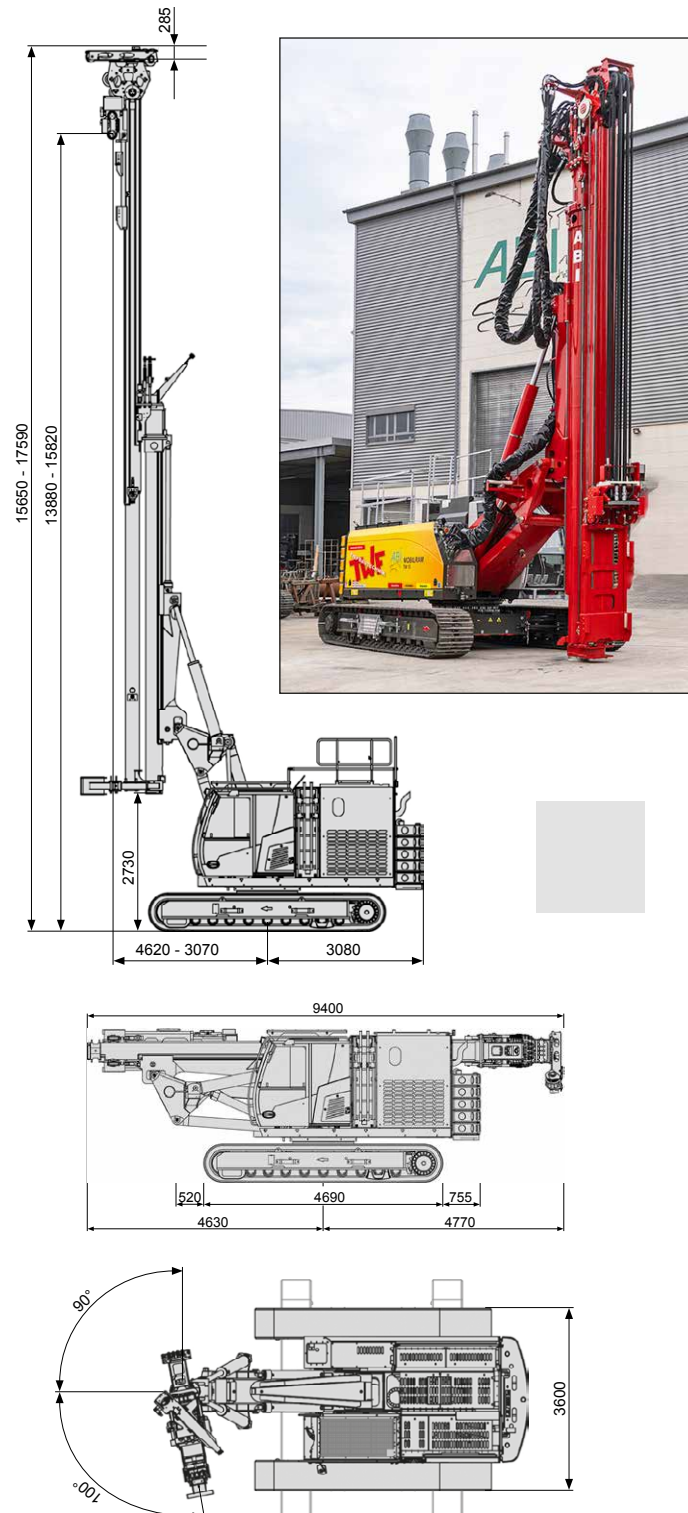


► ABI Mobilram

■ TM 13

Technical data	Unit	TM 13
Leader inclination front/rear	degree	4/5
Leader inclination laterally	degree	4
Leader slewing range	degree	100 / 90
Stroke guiding carriage	mm	13500
Feed force mast cylinder 1 up / down (on guiding carriage)	kN	180 / 100
Feed force mast cylinder 2 up / down (on guiding carriage)	kN	180 / 100
Torque absorption max.	kNm	60
Max. load capacity	kg	7000
Auxiliary Winch (option)	kN	14
Docking-System D6/4		
Connection for auger guide support integrated in leader mast foot		
Camera monitor system		
Hydraulic extendable undercarriage T21/300		
Attachments		
VIBRATOR	MRZV 16 VV D6/4	
AUGER DRIVE	MDBA 4500 D6/4	
AUGER DRIVE	VDW 4230 D6/4	
Weights / Dimensions		
Operating Weight (without winch, with vibrator)	kg	43540
Transport Weight (without winch and without attachment)	kg	39000
Standard counterweight, detachable	kg	5 x 1500
Base plate, detachable	kg	1450
Transport dimensions		
Length	mm	9400
Width	mm	2500
Height	mm	3100
BASE CARRIER	Unit	SR 20 F
ENGINE	CUMMINS B6.7	
Engine power	kW	209
Emissions standards	EU-Stufe/Stage V	
Working pressure	bar	350
Hydraulic pumps	cm ³	2 x 140 1 x 95
Diesel tank	l	350
Track width	mm	3000
Track shoes	mm	600



► **ABI Vibratoren** finden Sie auf [Seite 16, 17](#)