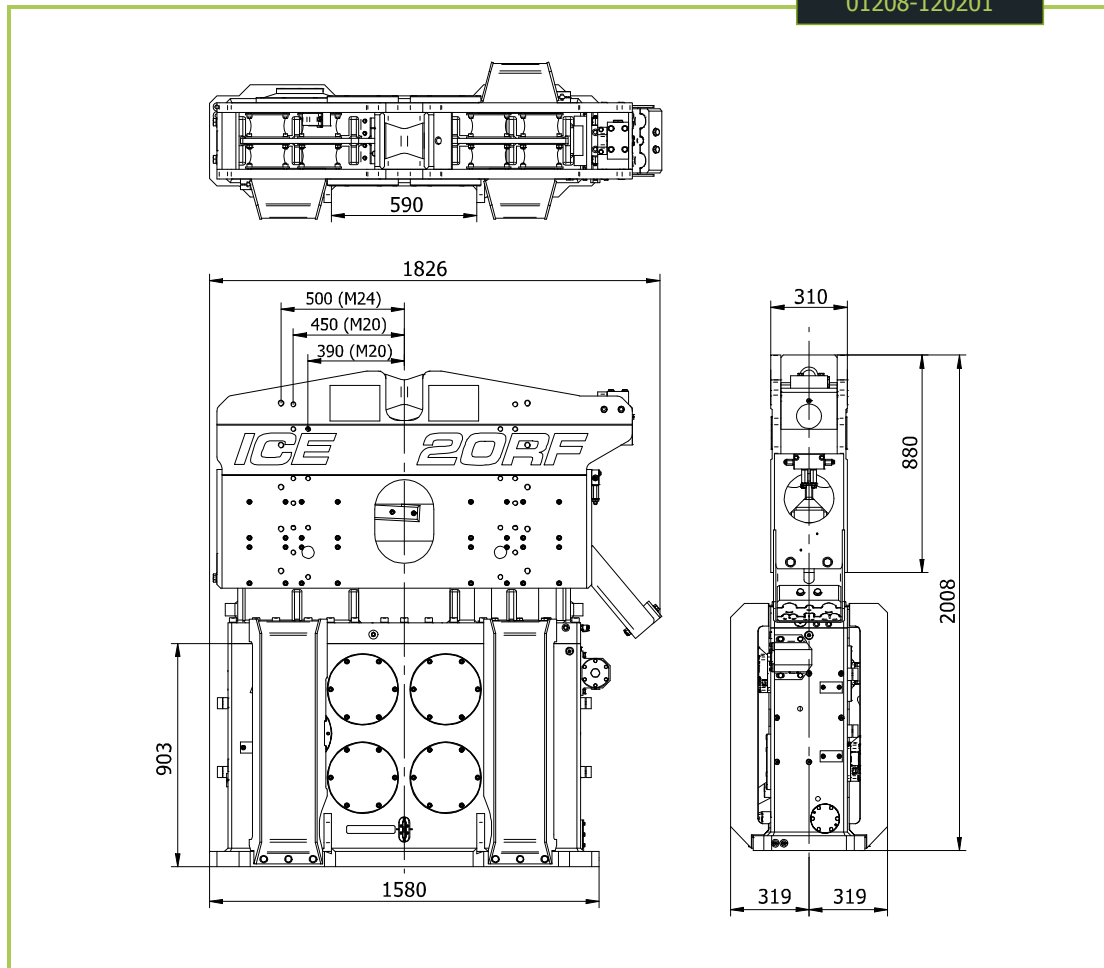


► ICE / PVE Vibrator Set

■ ICE 20 RF *Vibratory Hammer*

01208-120201

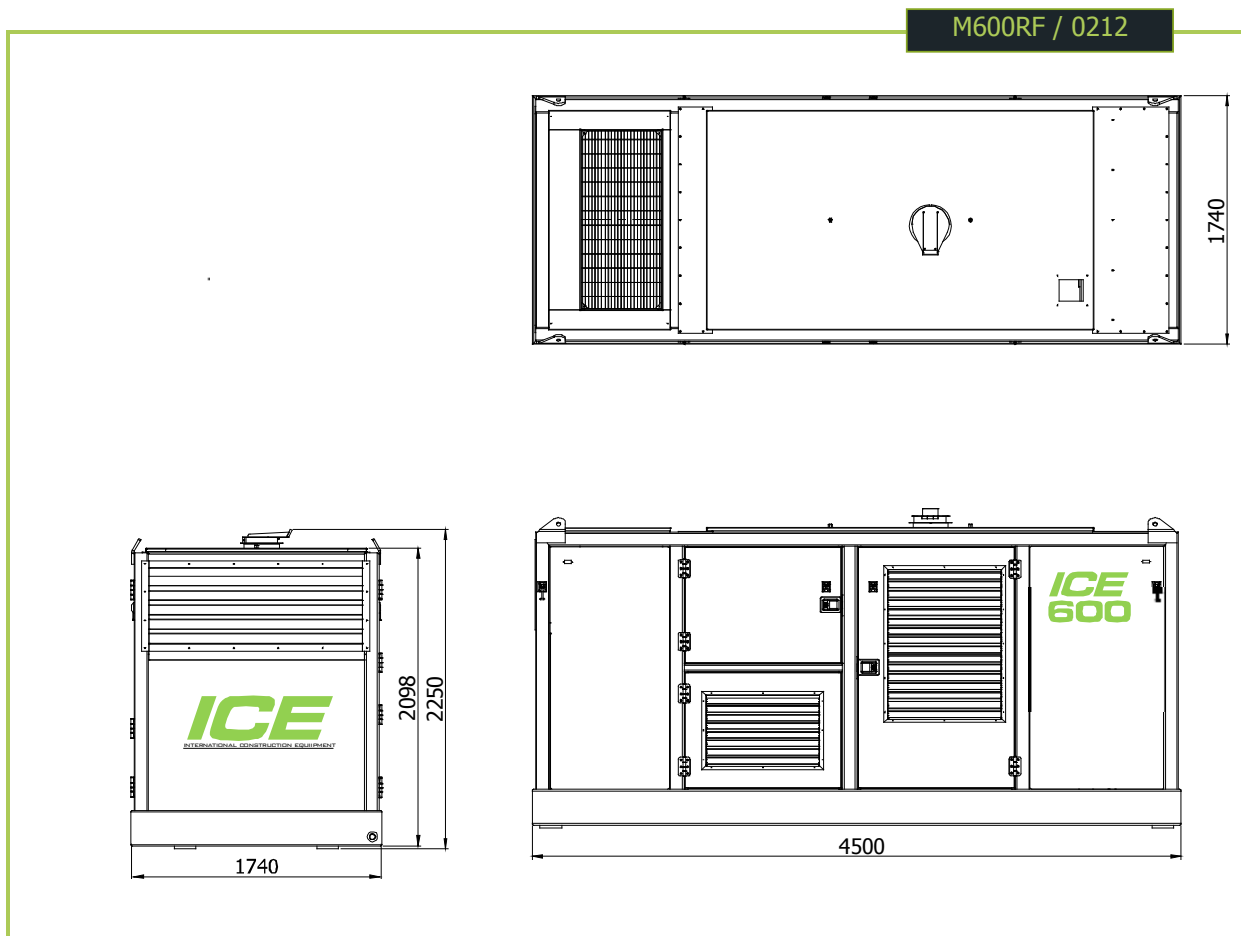


SPECIFICATIONS		20RF			
Eccentric moment	0-19.0	kgm		CLAMPS:	
Max. centrifugal force	0-1100	kN		Universal	130TU
Max. frequency	2300	rpm		Weight	610 kg
Max. amplitude excl. 130 TU	14.6	mm			
Max. amplitude incl. 130 TU	10.3	mm			
Max. static line-pull	240	kN		POWERPACK:	
Max. hydraulic power	292/398	kW/HP		Model	500RF
Max. operating pressure	350	bar			
Max. oil flow	498	l/min		FORCED LUBRICATION:	
Dyn. weight excl. 130 TU	2600	kg		Max. oil flow	22 l/min
Dyn. weight incl. 130 TU	3700	kg			
Total weight incl. 130 TU	4130	kg			
Transport weight	4925	kg			



► ICE / PVE Vibrator Set

■ ICE 600 PP *Hydraulic Power Pack*

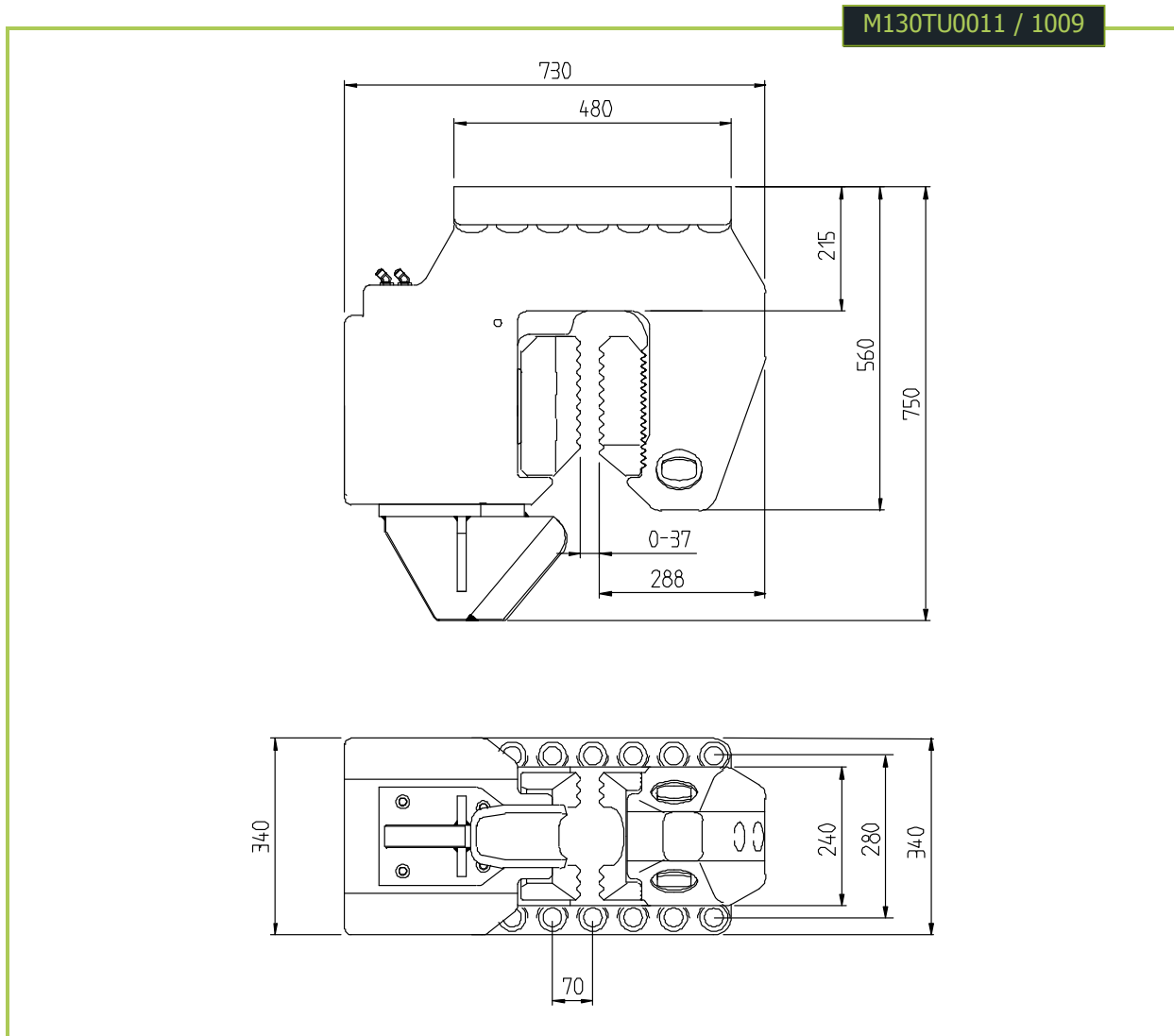


SPECIFICATIONS	600RF
Diesel engine	Caterpillar C15
Max. power	403/548 kW/HP (DIN)
Max. Frequency	2100 rpm
Max. working pressure	350 bar
Max. oil flow	670 L/min
Diesel oil	650 L
Hydraulic oil	1200 L
Weight (±)	7600 kg



► ICE / PVE Vibrator Set

■ ICE 130 TU *Universal Clamp*



SPECIFICATIONS:		TECHNISCHE DATEN:		SPÉCIFICATIONS:		SPECIFICATIES:	
Universal clamp		Universalzange		Pince universel		Universeelklem	
Clamping force	1300 kN	Klemmkraft		Force de serrage		Klemkracht	
Max. operating pressure	320 bar	Max. Betriebsdruck		Pression de travail max.		Max. werkdruk	
Weight	610 kg	Gewicht		Poids		Gewicht	