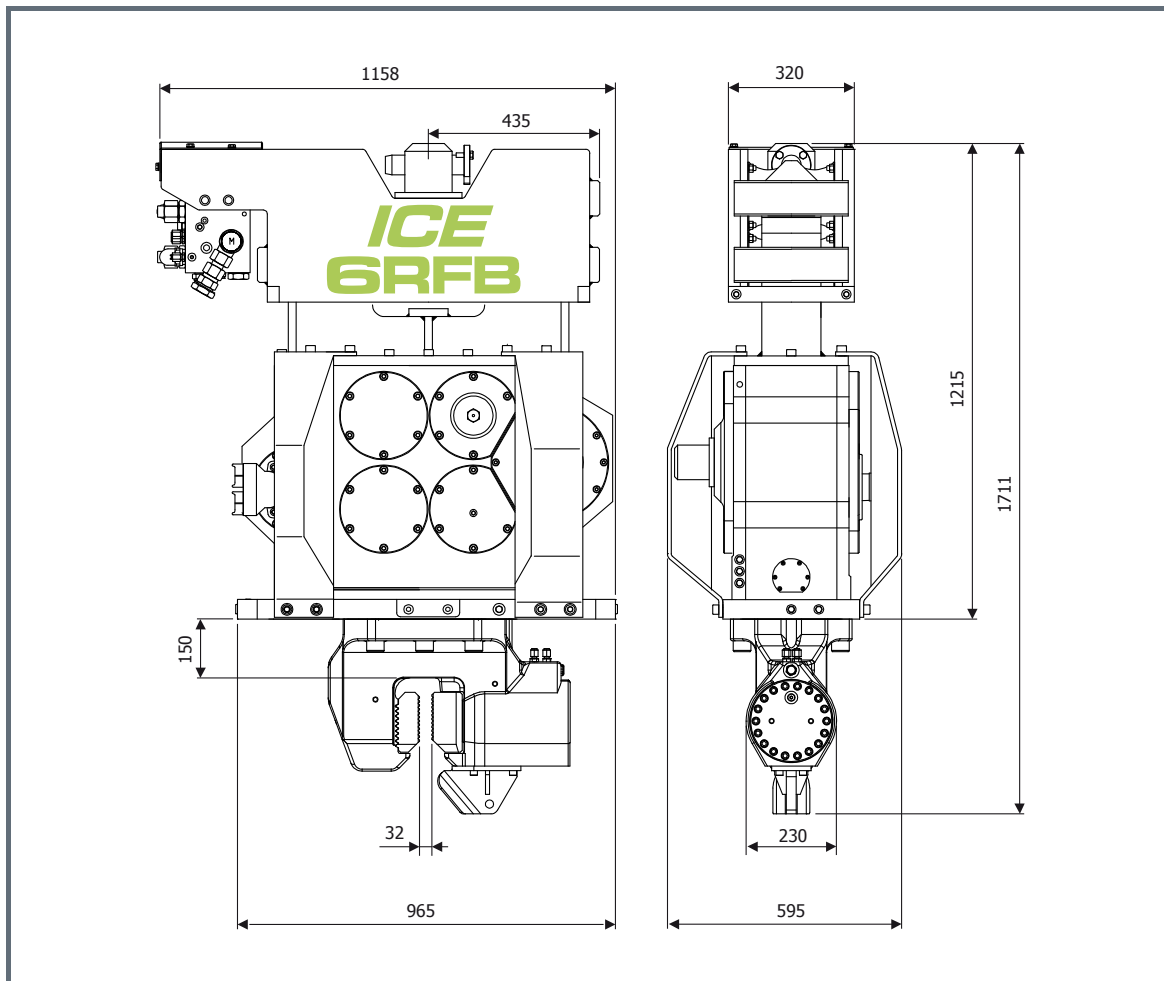


## ► ICE Baggeranbau Vibratoren / Excavator mounted Vibrators

### ■ ICE 6 RFB



Specifications		6RFB		Clamps:	
Eccentric moment	0 – 6.5	kgm		Sheet pile clamp	60TU
Max. centrifugal force	0 – 377	kN		Transport weight per piece	250 kg
Max. frequency	2300	rpm			
Max. amplitude excluding 60TU	13.5	mm			
Max. amplitude including 60TU	10.7	mm			
Max. static line-pull	120	kN			
Max. hydraulic power	81/110	kW/HP			
Max. operating pressure	350	bar			
Max. oil flow	138	l/min			
Forced lubrication	yes				
Dynamic weight excluding 60TU	960	kg			
Dynamic weight including 60TU	1210	kg			
Total weight including 60TU	1490	kg			