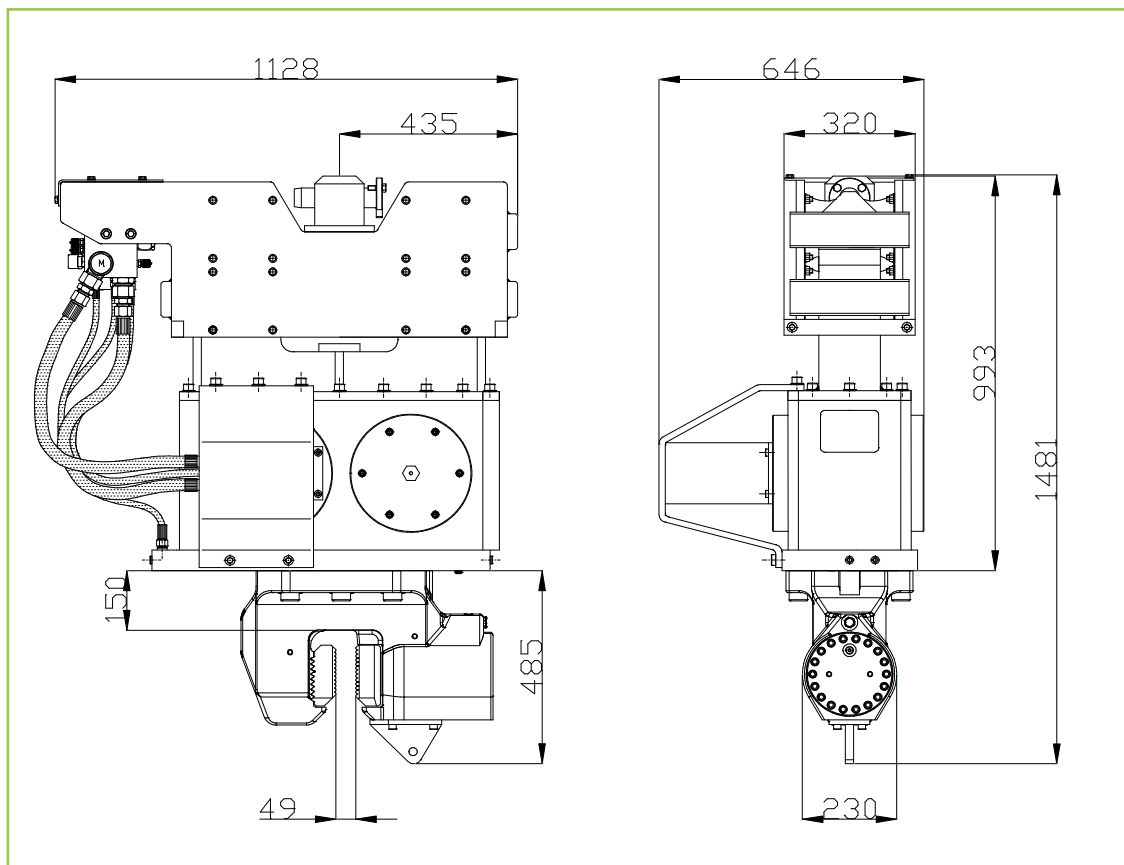


► ICE / PVE Vibrator Set

■ ICE 823 B *Vibratory Hammer*



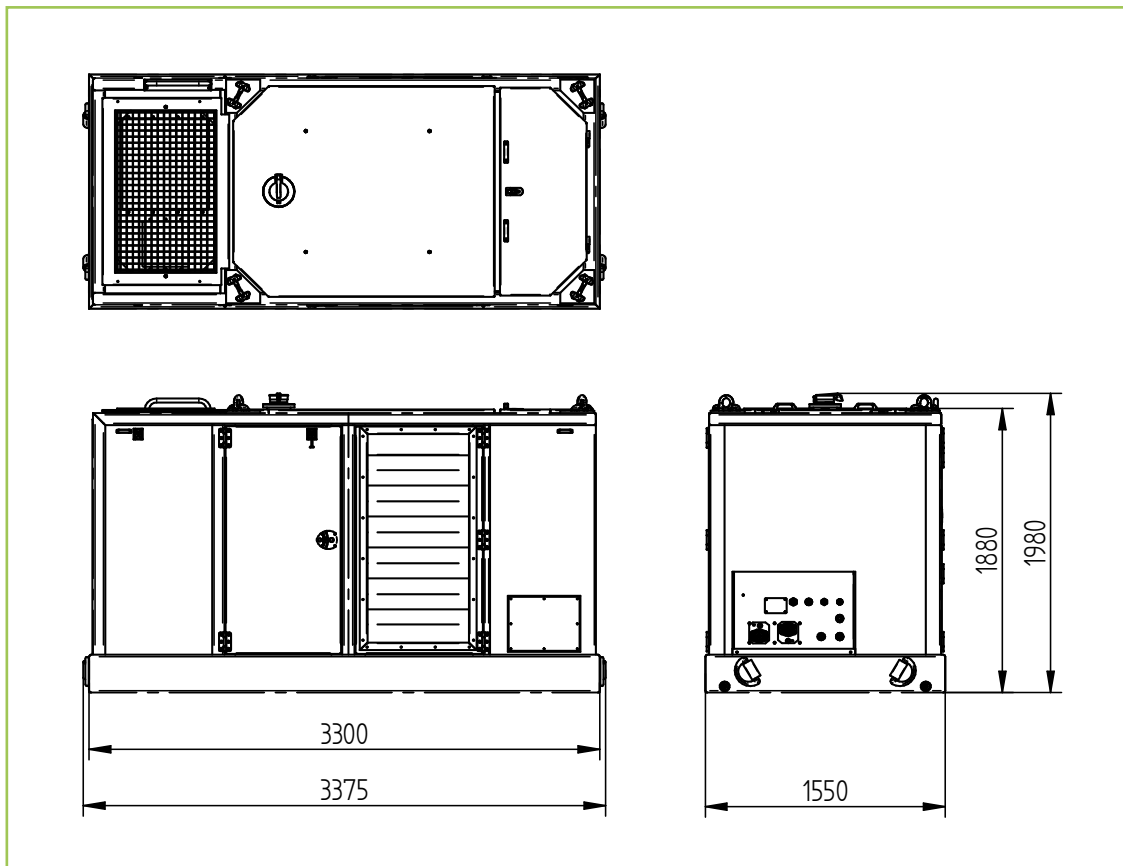
Max. oil flow will differ in case of a manifold with sequence function. Contact Dieseko Group for more information.

Specifications :		ICE 823B	
Eccentric moment	8 kgm	Clamps:	
Max. centrifugal force	464 kN	Sheet pile clamp	60TU
Max. frequency	2300 rpm	Transport weight per piece	250 kg
Max. amplitude excl. 60TU	23,2 mm	Double clamps	N/A
Max. amplitude incl. 60TU	17 mm	Transport weight per piece	N/A kg
Max. static line-pull	120 kN		
Max. pull-down	100 kN		
Max. operating pressure	350 bar	Powerpack:	
Max. oil flow	185* l/min	Model	N/A
Max. hydraulic power	108/147 kW/HP		
Forced lubrication	no		
Dynamic weight excl. 60TU	690 kg	Hose set:	
Dynamic weight incl. 60TU	940 kg	Length	30 m
Total weight excl. 60TU & hoses	1310 kg	Transport weight (±)	322 kg



► ICE / PVE Vibrator Set

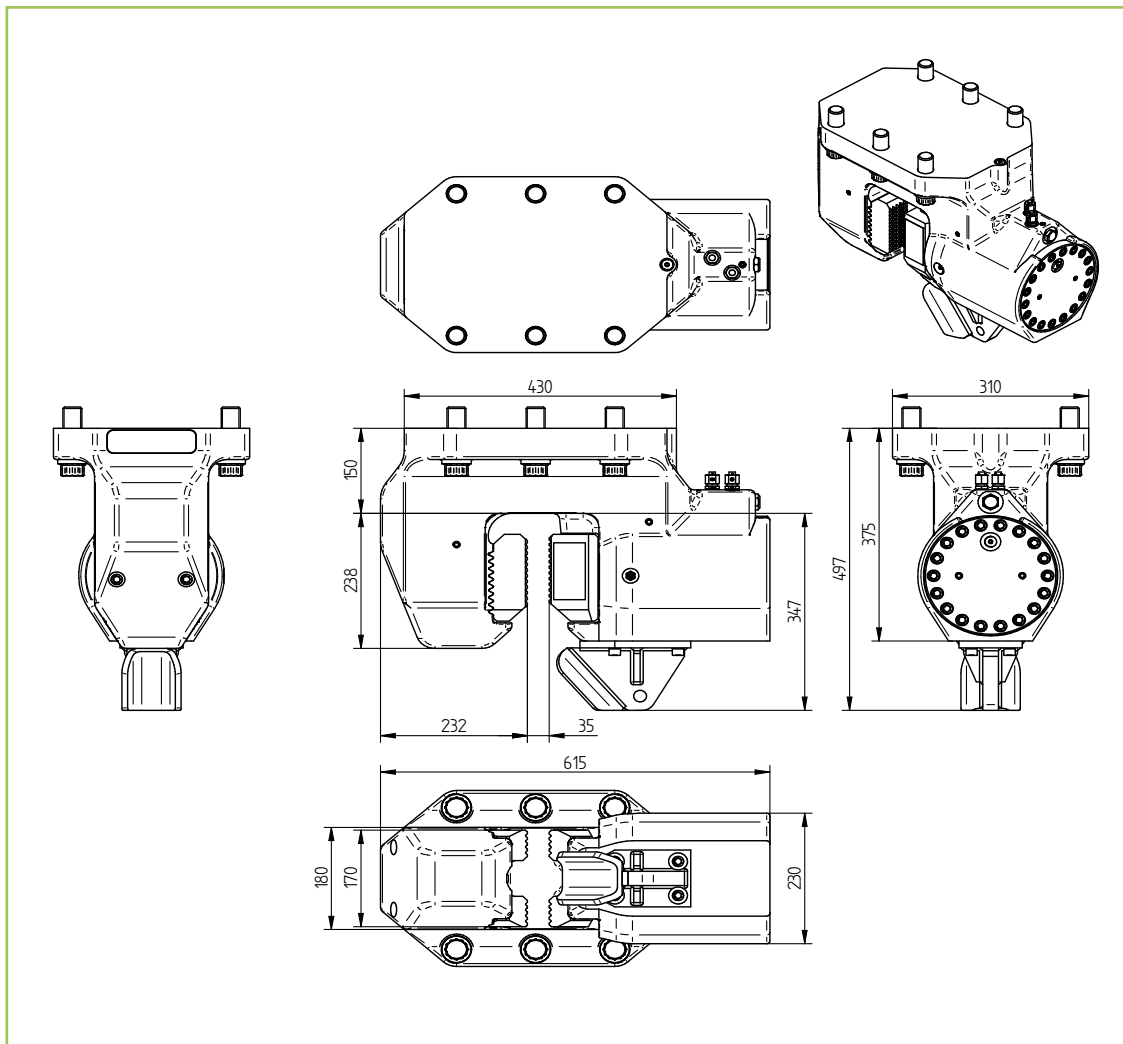
■ ICE 200 PP *Hydraulic Power Pack*



Specifications :	ICE 200 STAGE V / TIER 4F	
Diesel Engine	Volvo TAD 582 VE	
Max. theoretical power	160/218	kW/HP
Max. frequency	2300	rpm
Max. operating pressure	350	bar
Hydraulic pump	Parker	
Max. oil flow	211	L/min
Diesel oil	490	L
DEF (AdBlue) capacity	25	L
Hydraulic oil	540	L
Weight without fuel	3790	kg
Weight filled up	4250	kg

► ICE / PVE Vibrator Set

■ ICE 60TU *Sheet Pile Clamp*



Specifications :	ICE 60TU	
Sheet pile clamp		
Clamping force	600	kN
Max. operating press.	320	bar
Max. clamp open press.	180	bar
Weight	250	kg

