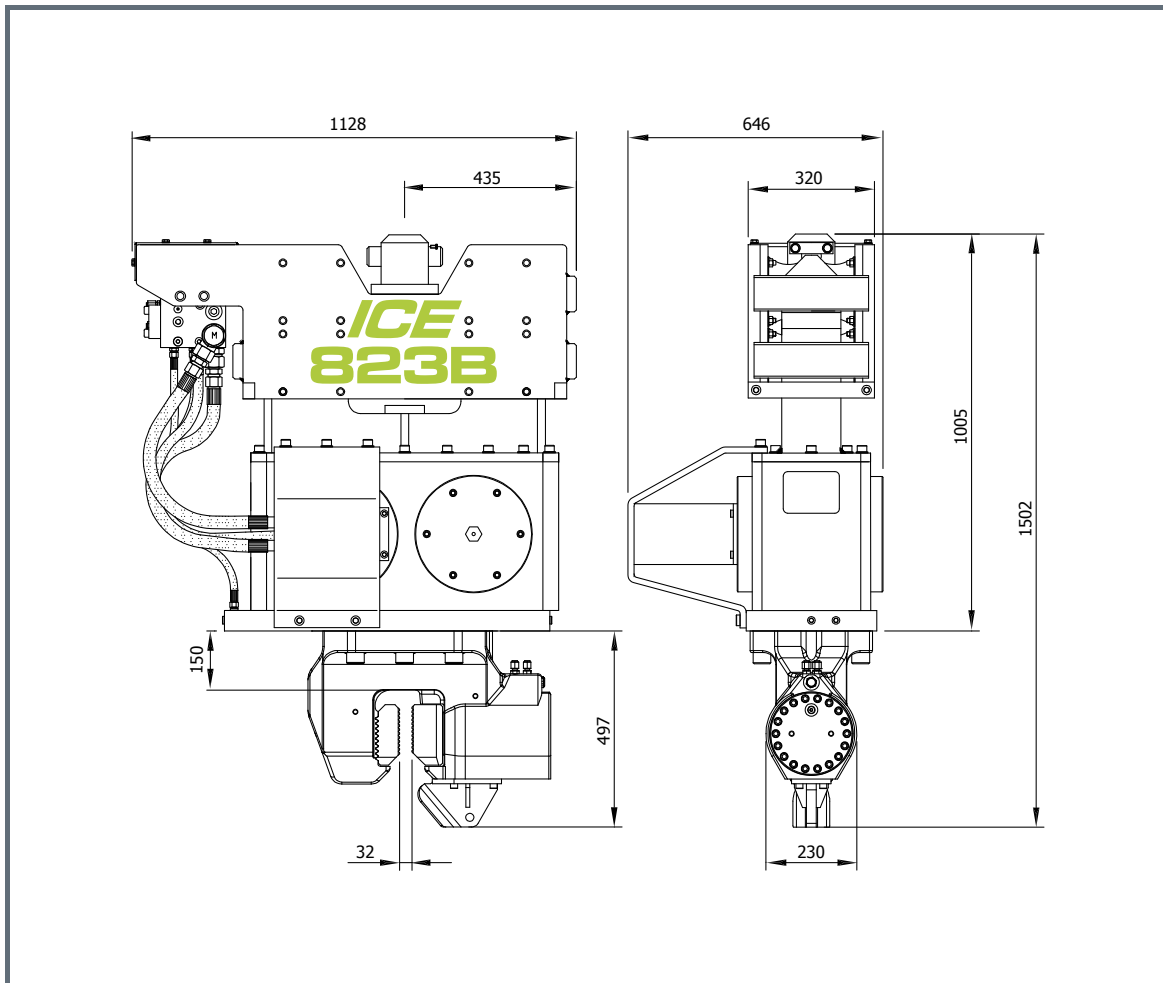


► ICE Baggeranbau Vibratoren / Excavator mounted Vibrators

■ ICE 823 B



Specifications		823B	
Eccentric moment	8	kgm	
Max. centrifugal force	464	kN	
Max. frequency	2300	rpm	
Max. amplitude excluding 60TU	23.2	mm	
Max. amplitude including 60TU	17	mm	
Max. static line-pull	120	kN	
Max. operating pressure	350	bar	
Max. oil flow	185	l/min	
Forced lubrication	no		
Dynamic weight excluding 60TU	690	kg	
Dynamic weight including 60TU	940	kg	
Total weight excluding 60TU & hoses	1060	kg	
Clamps:			
Sheet pile clamp	60TU		
Transport weight per piece	250	kg	