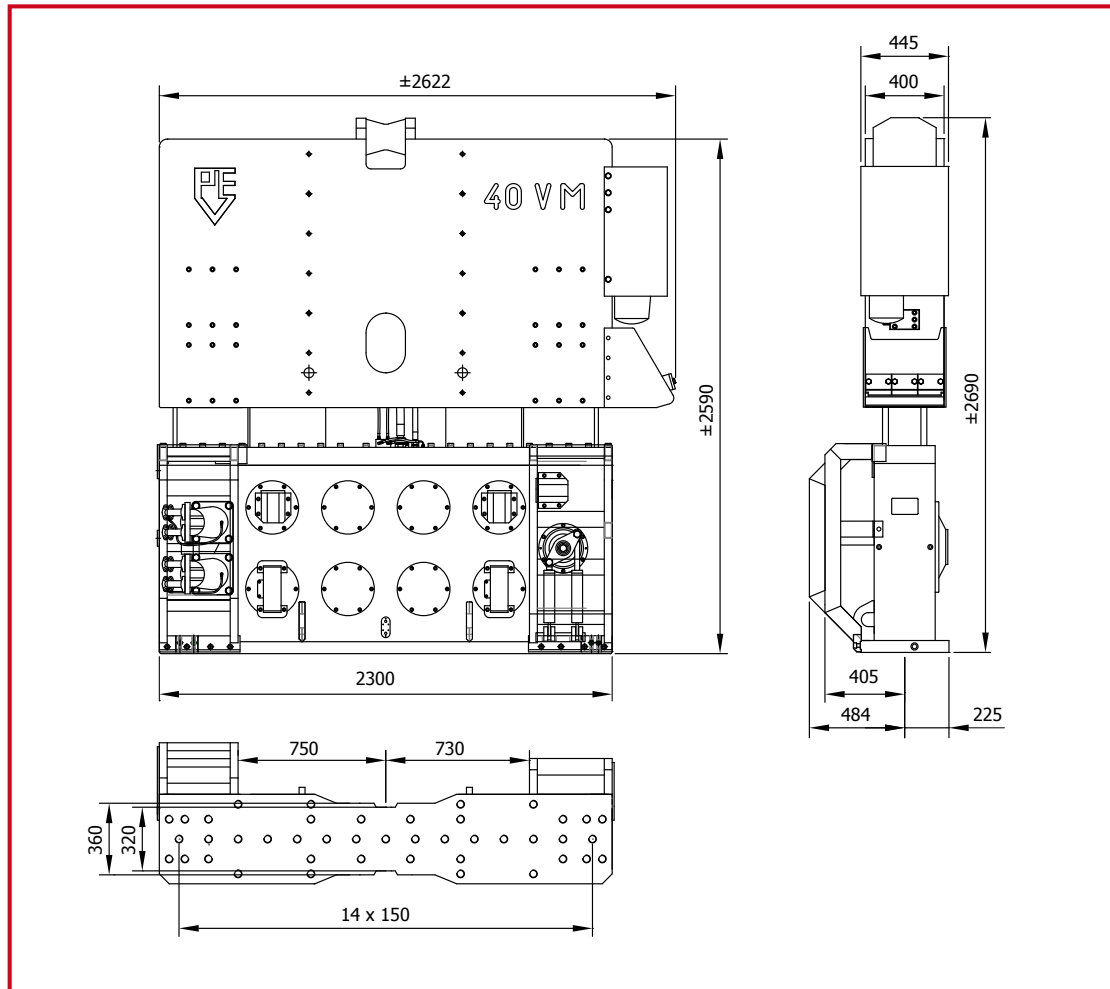


► ICE / PVE Vibrator Set

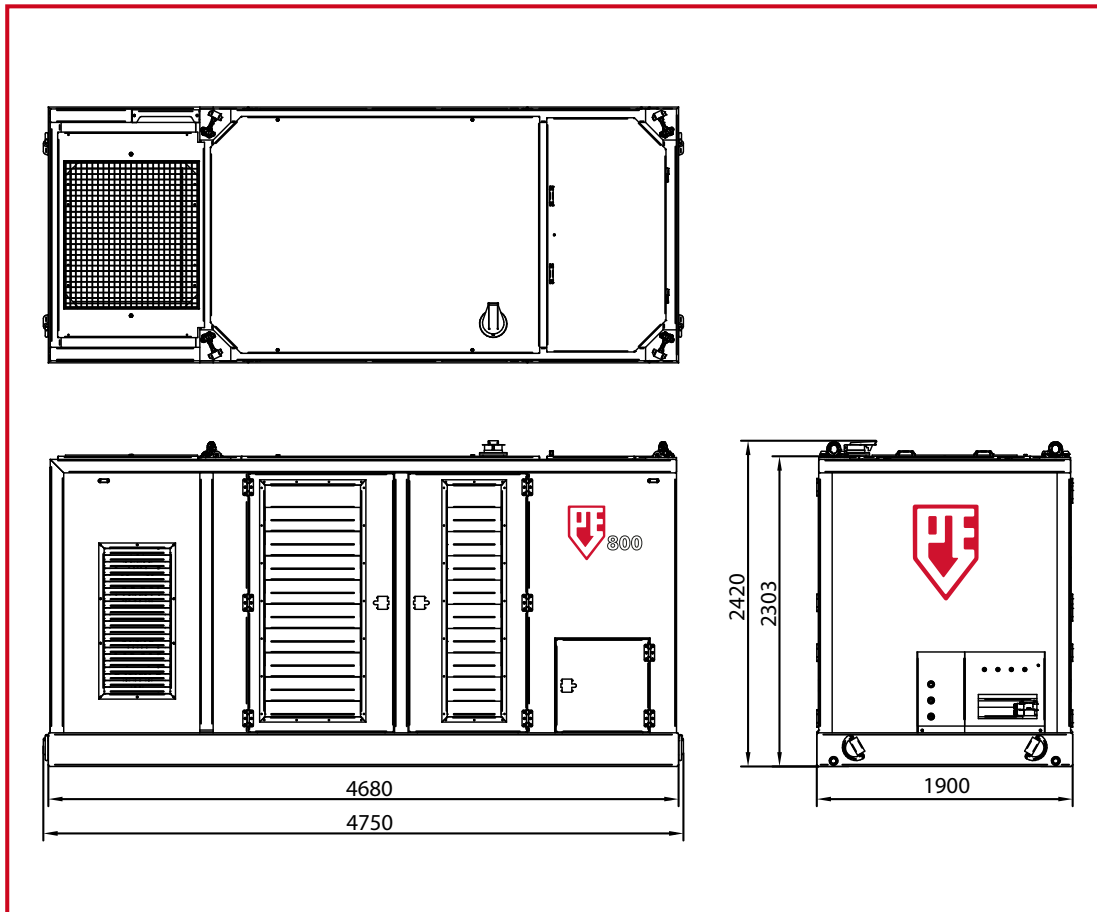
■ PVE 40 VM *Vibratory Hammer*



Specifications		40VM	
Eccentric moment	0-40	kgm	
Max. centrifugal force	0-1755	kN	
Max. frequency	2000	rpm	
Max. amplitude excluding DWK 350T	19	mm	
Max. amplitude including DWK 350T	11.6	mm	
Max. static line-pull	400	kN	
Max. operating pressure	350	bar	
Max. oil flow	800	l/min	
Forced lubrication	yes		
Dynamic weight excluding DWK 350T	4300	kg	
Dynamic weight including DWK 350T	6900	kg	
Total weight excluding DWK 350T & hoses	6760	kg	
		Clamps:	
		Sheet pile clamp	DWK 350T
		Transport weight per piece	2600 kg
		Double clamps	PPK 125T
		Transport weight per piece	900 kg
		Powerpack:	
		Model	800
		Hose set:	
		Length	45 m
		Transport weight (±)	1156 kg

► ICE / PVE Vibrator Set

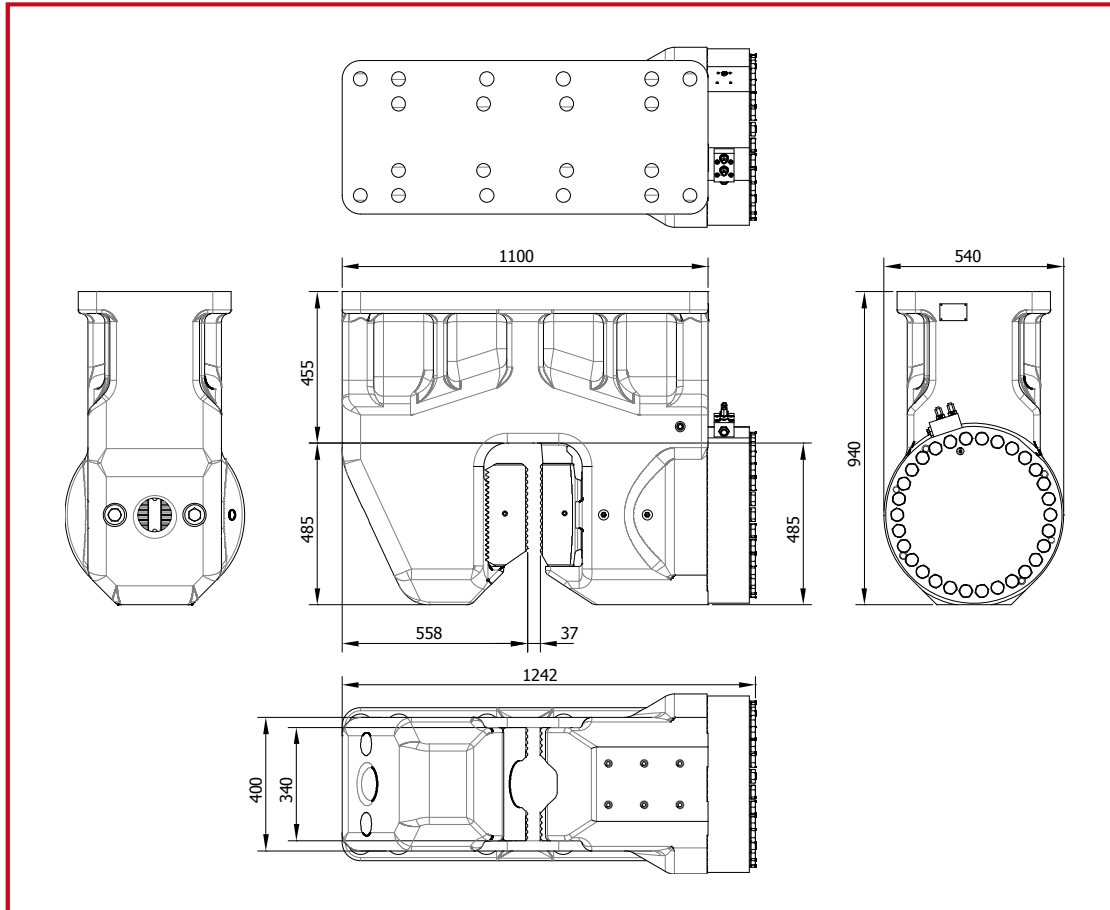
■ PVE 800 PP *Hydraulic Power Pack*



Specifications	800	
Diesel engine	Caterpillar C18	
Max. theoretical power	563/755	kW/HP
Max. frequency	1800	rpm
Max. operating pressure	240 / 260 / 350	bar
Hydraulic pump	Rexroth	
Max. oil flow	800	L/min
Diesel oil	755	L
DEF (AdBlue) capacity	-	L
Hydraulic oil	1600	L
Weight without fuel	8060	kg
Weight filled up	8700	kg

► ICE / PVE Vibrator Set

■ PVE 350 T *Universal Clamp*



Specifications	Technische Daten	Spécifications	Specificaties	Especificaciones
Sheet pile clamp	Spundwandzange	Pince palplanches	Damwandklem	Hoja abrazadera pila
Clamping force	3500 kN	Klemmkraft	Force de serrage	Klemkracht
Max. operating press.	320 bar	Max. Betriebsdruck	Pression de travail max.	Max. werkdruk
Max. clamp open press.	120 bar	Max. Druck Zange Offen	Pression pince ouvert max.	Max. klem open druk
Weight	2600 kg	Gewicht	Poids	Gewicht
				Peso